



US00D386690S

United States Patent [19]

Lewis

[11] Patent Number: **Des. 386,690**

[45] Date of Patent: ****Nov. 25, 1997**

[54] **FOLDABLE CLOCK**

[75] Inventor: **Caroline Eiko Lewis**, Atlanta, Ga.

[73] Assignee: **Georgia Tech Research Corporation**, Atlanta, Ga.

[**] Term: **14 Years**

[21] Appl. No.: **50,860**

[22] Filed: **Feb. 28, 1996**

[51] **LOC (6) Cl.** **10-02**

[52] **U.S. Cl.** **D10/15; D10/18**

[58] **Field of Search** **D10/1-40, 122-132; 368/280-282, 276-277, 28-30, 285, 239-242, 82-84, 41-44**

[56] **References Cited**

U.S. PATENT DOCUMENTS

- D. 274,042 5/1984 Rulgari D10/18
- D. 309,572 7/1990 Suzuki D10/18

- D. 337,951 8/1993 Bruzzi D10/18 X
- D. 359,241 6/1995 Ling D10/18
- D. 359,912 7/1995 Wong D10/18
- D. 361,519 8/1995 Inora D10/18

Primary Examiner—Nelson C. Holtje

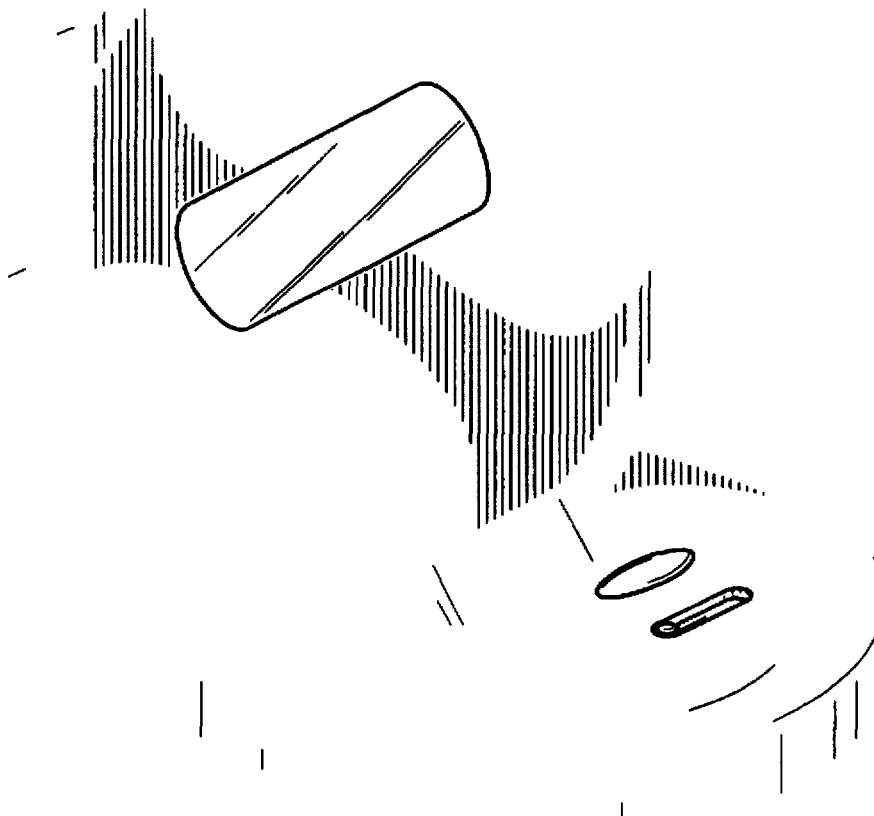
[57] **CLAIM**

The ornamental design for a foldable clock, as shown.

DESCRIPTION

FIG. 1 is perspective view of my new foldable clock in a closed position;
 FIG. 2 is front view thereof;
 FIG. 3 is a perspective view of my new foldable clock in an open position;
 FIG. 4 is a top view of my clock in FIG. 3;
 FIG. 4 is a bottom view of my clock in FIG. 3;
 FIG. 6 is a front view of my clock in FIG. 3;
 FIG. 7 is a side view of my clock in FIG. 3; and,
 FIG. 8 is a rear view of my clock in FIG. 3.

1 Claim, 3 Drawing Sheets



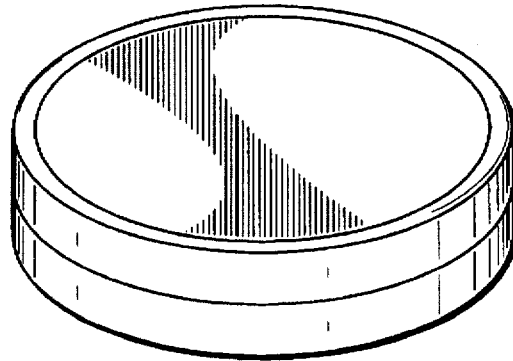


FIG. 1

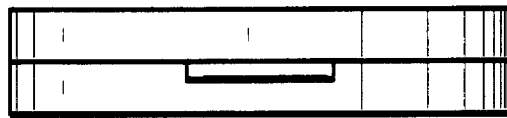


FIG. 2

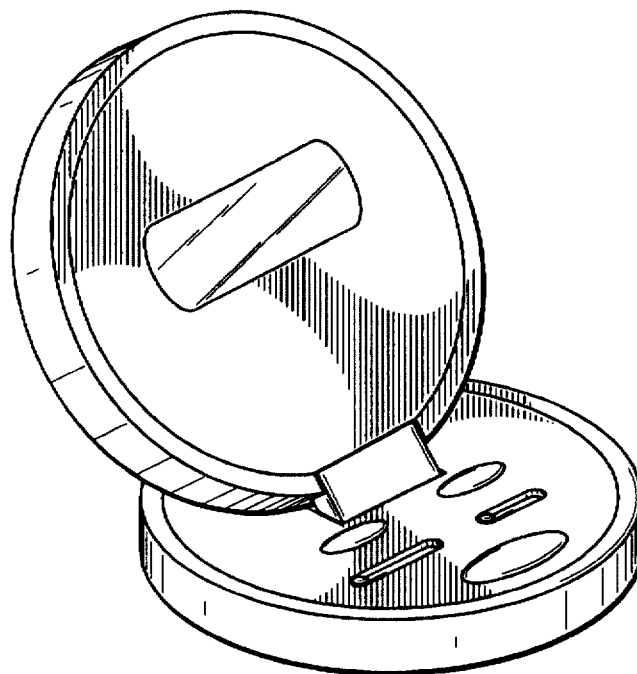


FIG. 3

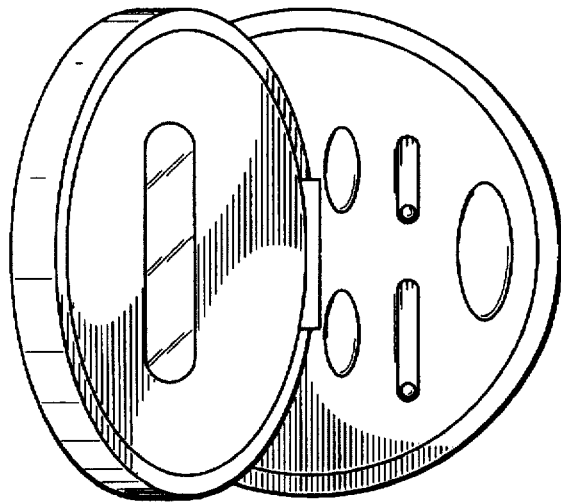


FIG. 4

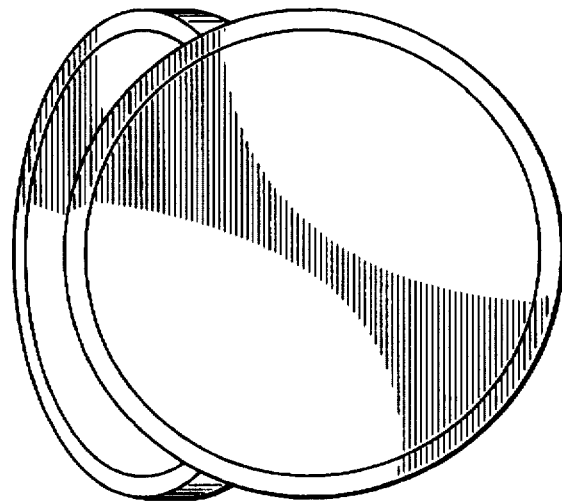


FIG. 5



FIG. 6

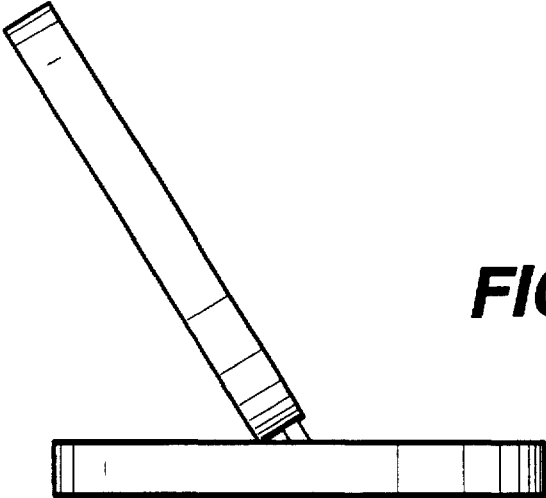


FIG. 7

FIG. 8

